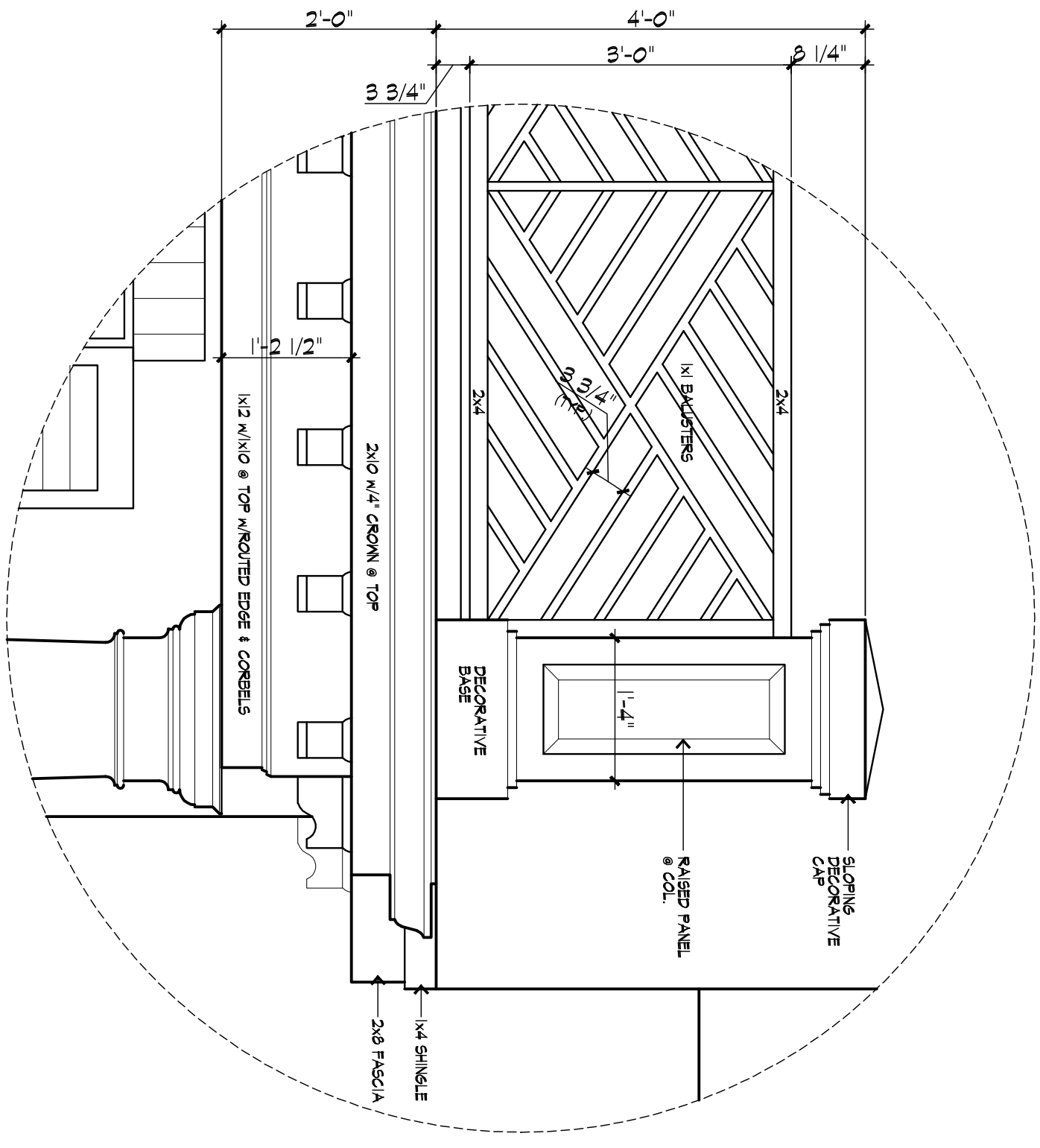


FRONT ELEVATION

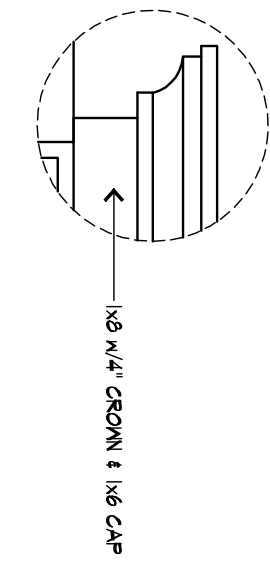
WITH ATTENTION TO CORNER WITH IBC BUILDING CODES.
 MAJOR MATERIALS LISTED TO EXCEED IBC AS/ FINISHED GRADE.
 PROVIDE EXPANSION JOINTS IN STUCCO AS REQUIRED
 TO COMPLY WITH IBC BUILDING CODES.

SCALE 1/4" = 1'-0"



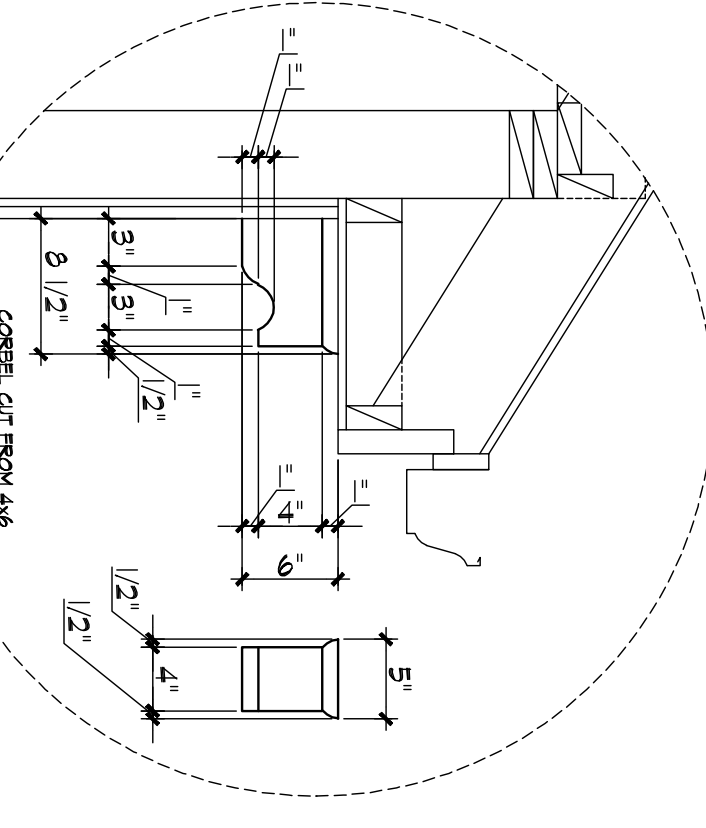
WINDOW CROWN CAP DETAIL

SCALE 5/8" = 1'-0"



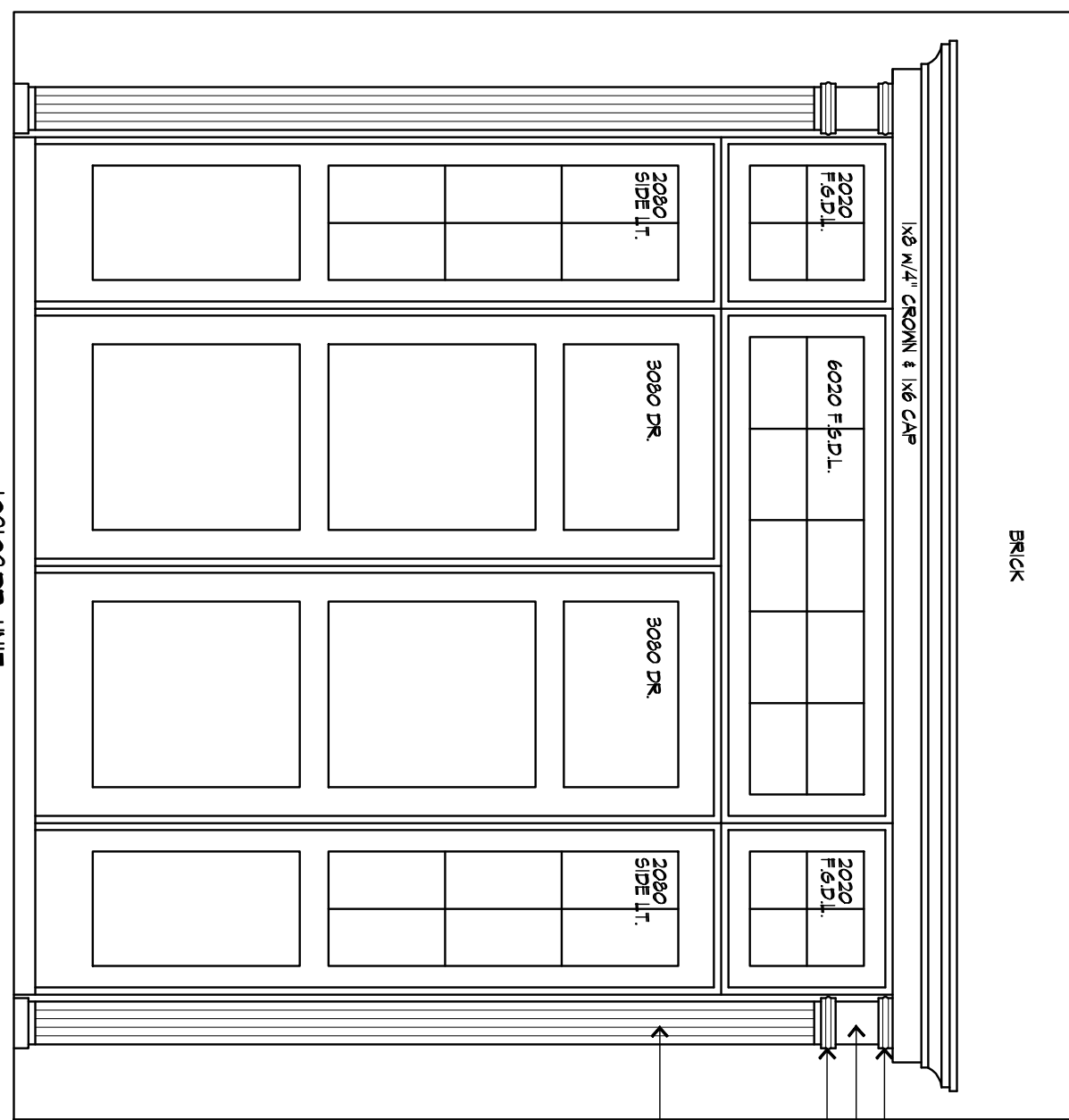
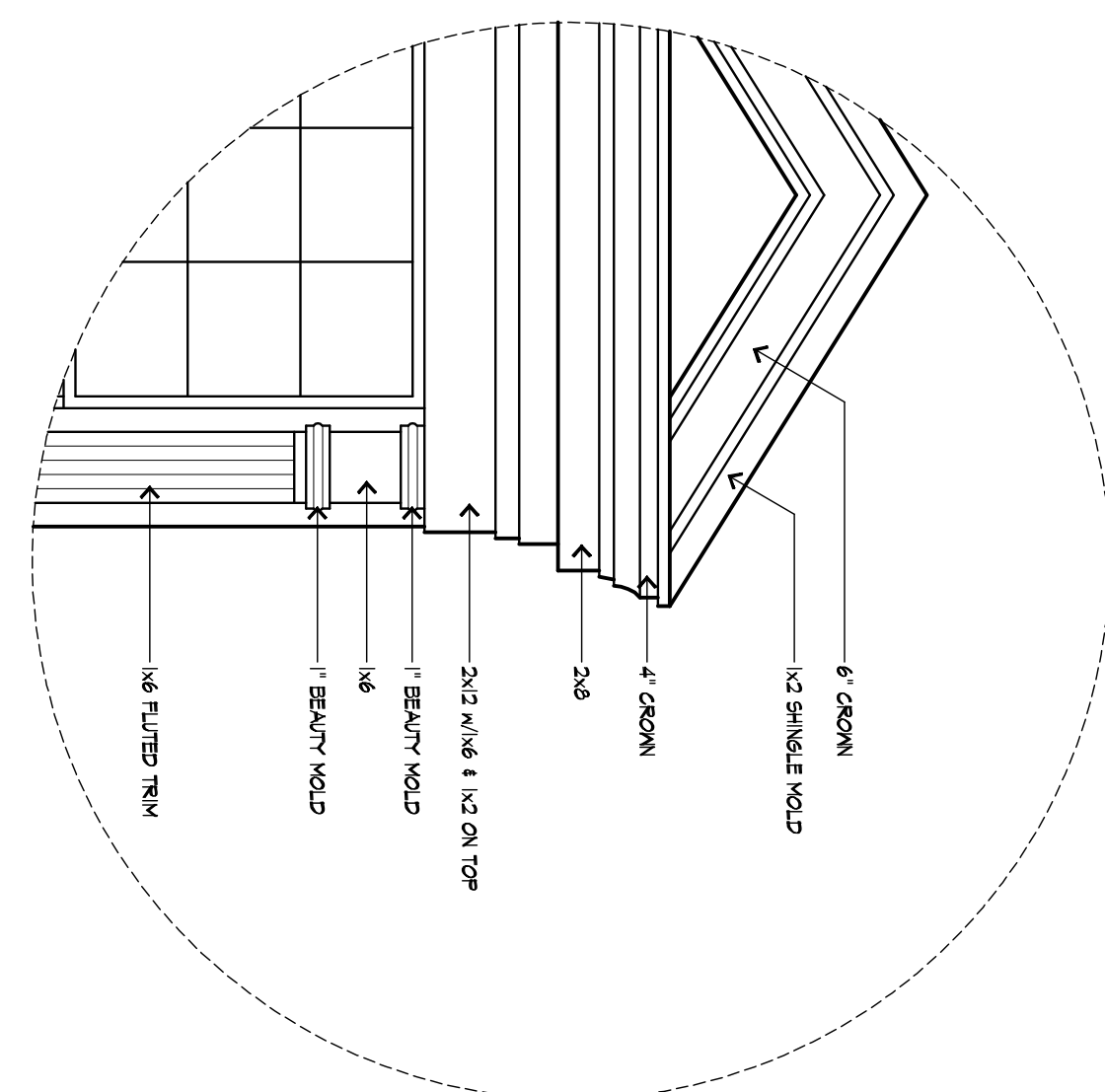
CORBEL DETAIL

SCALE 1/4" = 1'-0"



DORMER DETAIL

SCALE 5/8" = 1'-0"

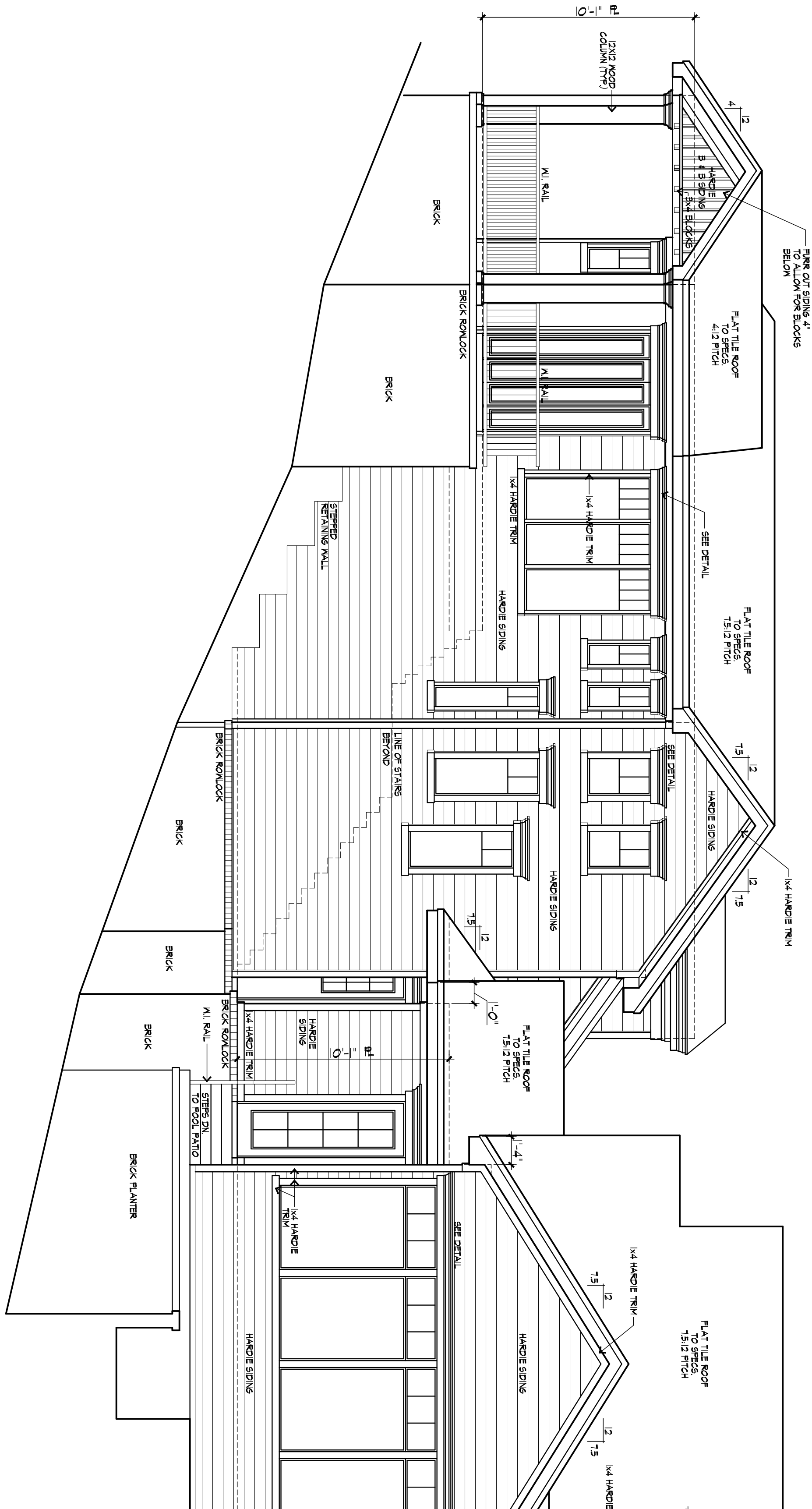


FRONT DOOR DETAIL

SCALE 1/2" = 1'-0"

TOP RAIL DETAIL

SCALE 5/8" = 1'-0"



REAR ELEVATION

SCALE 1/4" = 1'-0"

